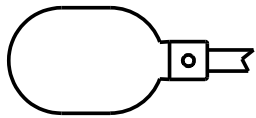
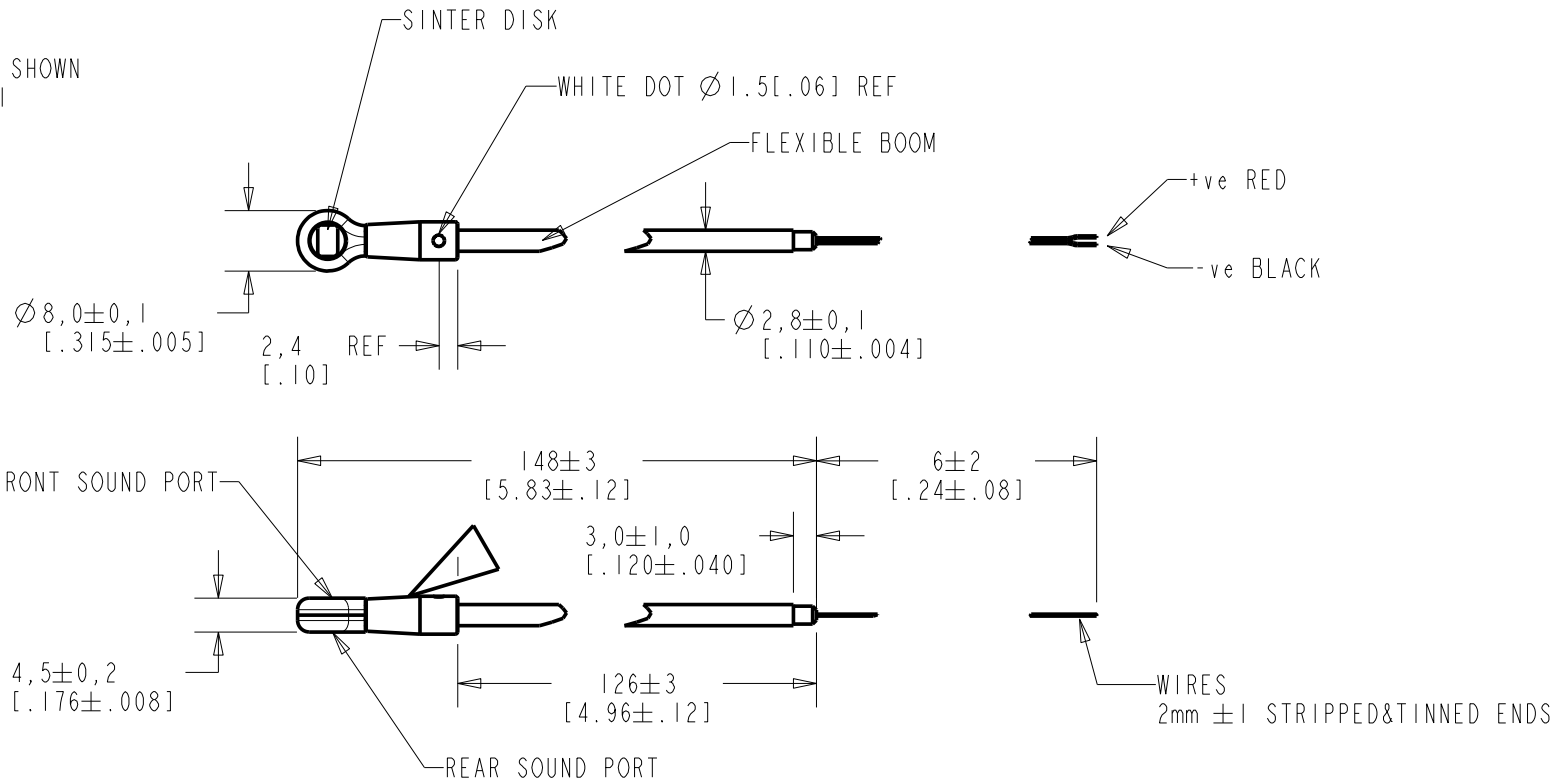


FB-BW-30435-000
SHT 1.1

THE FRONT SOUND PORT IS ADJACENT TO THE MODEL NUMBER IDENTIFICATION.



TOP VIEW
W/WINDSHIELD SHOWN
SCALE 1:1



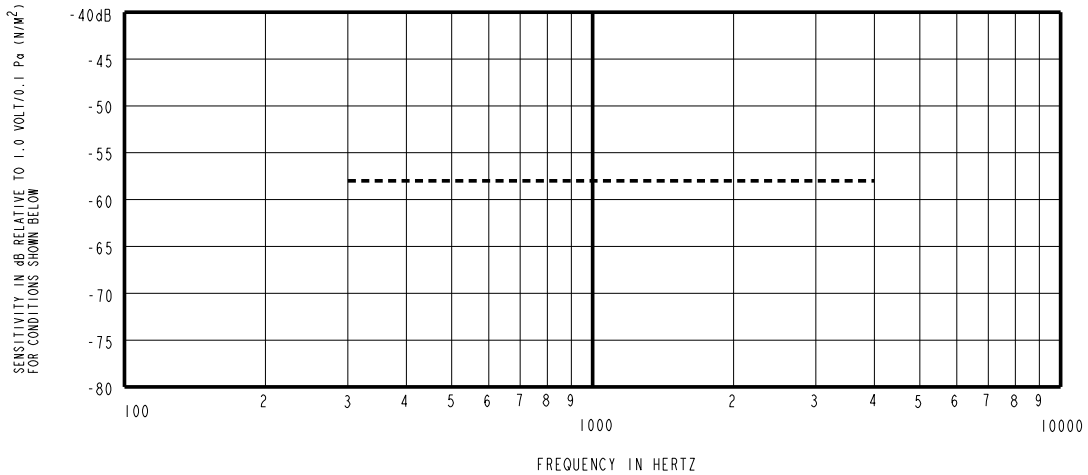
WIRE COLOR		WEIGHT GRAMS
+ve	OUTPUT	
RED	BLACK	13.1

DIMENSIONS IN MILLIMETERS [INCHES]

Revision	C.O. #	Implementation Date	RELEASE LEVEL	REVISION
C	C10108523	11-11-08	Active	C
B	C10108213	8-29-08		
A	C10107355	3-27-08		

KNOWLES ELECTRONICS
ITASCA, ILLINOIS U.S.A.

SCALE: 1:1	DR. BY TT	DATE 3-27-08
DO NOT SCALE DRAWING	CK. BY GJP	DATE 3-28-08
TITLE: BOOM MICROPHONE FB-BW-30435-000	APP. BY GJP	DATE 3-28-08
OUTLINE DRAWING	SHT 1.1	



NOTES:

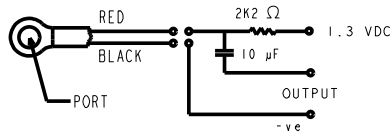
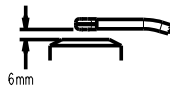
1. MICROPHONE TO BE FUNCTIONAL WITH 10 VDC SUPPLY.
2. SENSITIVITY VALUES INDICATED ON THIS SPECIFICATION ARE VALID AT 50% HUMIDITY.
3. SENSITIVITY

FREQUENCY	MIN	NOM	MAX
300	---	-58.0	---
1000	-61.0	-58.0	-55.0
4000	---	-58.0	---

DEVICE CONFORMITY
RANGE OF DEVIATION FROM 1KHZ

-3.0	+3.0
-0.0	+0.0
-3.0	+3.0

4. TEST CONDITIONS:
HEAD OF BOOM EXPOSED TO 94 dB SPL SWEPT SOUND FIELD AT 6mm FROM VOICE APERTURE.
ARTIFICIAL VOICE: B & K 4227 MOUTH SIMULATOR.
5. FOR MICROPHONE CAPSULE SPEC. SEE WP-23501-000 SHEET 2.1



LEAD IDENTIFICATION
& TEST CIRCUIT

Revision	C.O. #	Implementation Date	RELEASE LEVEL	REVISION
C	C10108523	11-11-08	Active	C
B	C10108213	8-29-08		
A	C10107355	3-27-08		

KNOWLES ELECTRONICS
ITASCA, ILLINOIS U.S.A.

WHEN TEST LIMITS ARE USED TO ESTABLISH INCOMING INSPECTION ACCEPTANCE/REJECTION CRITERIA, CORRELATION OF TEST EQUIPMENT WITH KNOWLES IS ALSO REQUIRED FOR ELIMINATION OF EQUIPMENT AND TEST METHOD VARIATION

TITLE: **BOOM MICROPHONE FB-BW-30435-000**
PERFORMANCE SPECIFICATION **SHT 2.1**

DR. BY	DATE
TT	3-27-08
CK. BY	DATE
GJP	3-28-08
APP. BY	DATE
GJP	3-28-08